



Cedar Hot Tub Sizes and Specifications



Specifications and Information

Our handcrafted wooden hot tubs are a pleasure to use and a beautiful addition to your landscape. They are a quiet, soothing refuge from the increasingly frantic pace of life. Wooden hot tubs blend perfectly with natural surroundings, fitting nicely on a deck or patio. Natural wooden tubs offer an appealing alternative to high-priced plastic spas. Don't you have enough plastic in your life?

We strive to make the finest cedar tubs available, one at a time with expert care in our small shop in picturesque Haines, Alaska. Exceptional cedar tubs begin with exceptional cedar - we use premium quality straight, knot-free Western Red Cedar heartwood responsibly sourced from the Pacific Northwest. We shape the staves to provide a comfortably rounded inside tub wall. We bevel, sand, and polish the rim of the tub for a smooth feel. We use an innovative cove-and-bead joint in our staves for superior strength and watertightness, and handsome stainless steel banding and bolts to hold it all together. Our circular bench designs are both practical and attractive.

Whether you want a tub for one person or ten; whether you prefer the simplicity of wood heat, the convenience of one of our heating and filtration systems, or the luxurious massage of our Hydro-Jet package, Zen Bathworks has a tub for you.

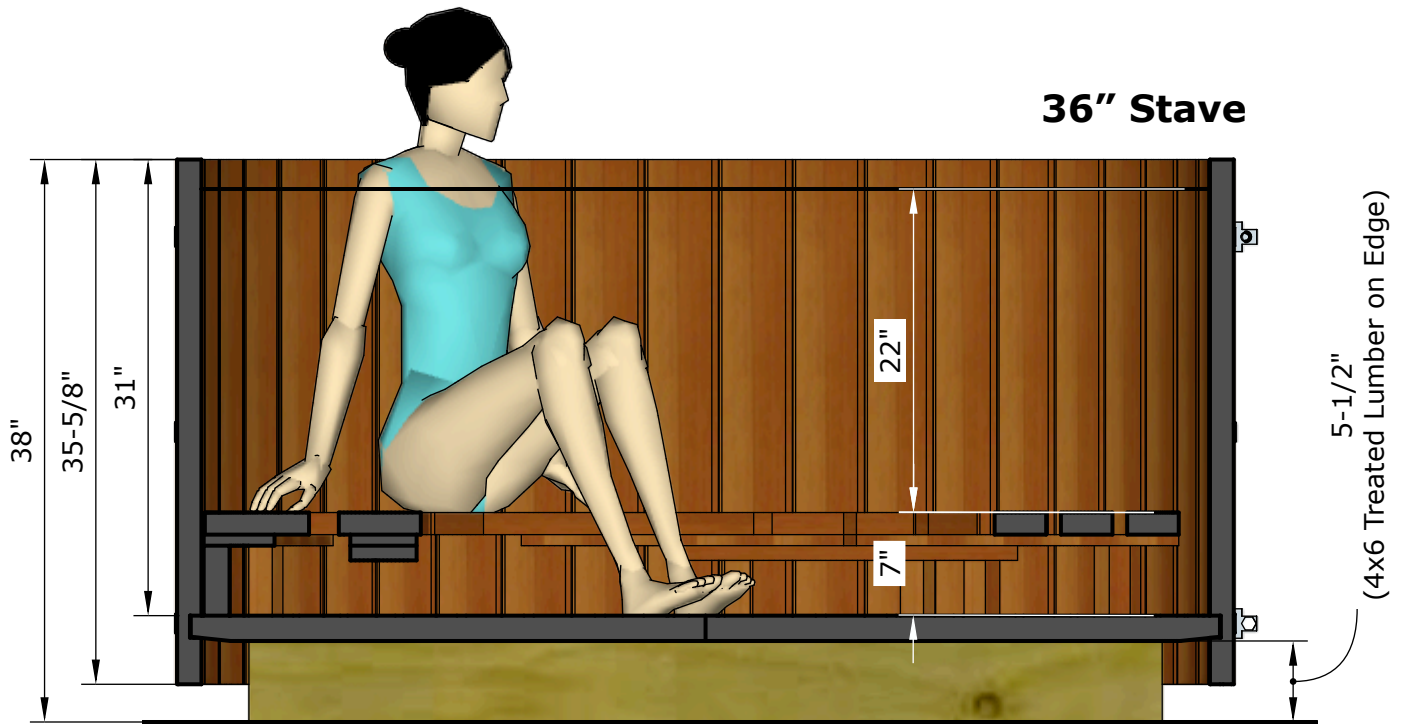
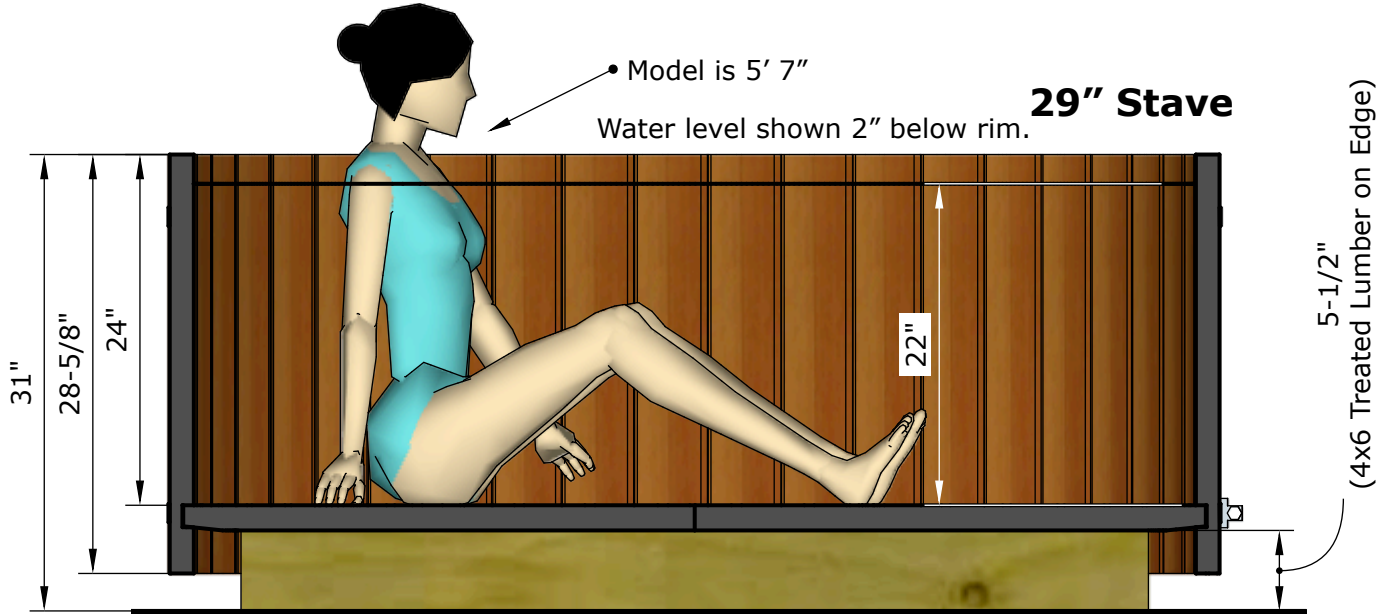


Which of our four height choices is right for you?

Our cedar hot tubs are available in 4 standard heights, shown below and on the following page. As you can see, all four heights offer shoulder-deep soaking, but the seating angle changes considerably. The 29" height does not include benches.

Shallower tubs hold less water, so they are a great option for water conservation. Less water also means that shallower tubs will heat up faster, with less electricity or fuel.

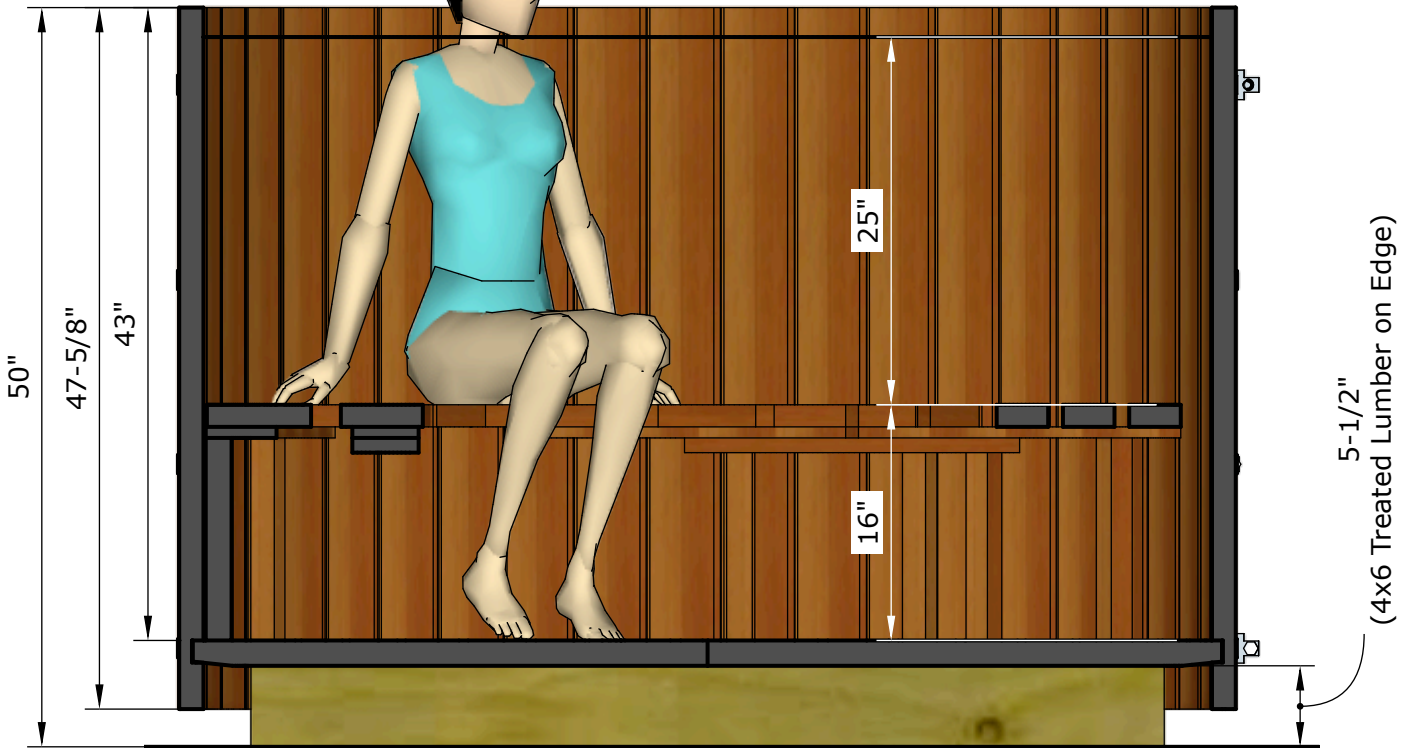
Deeper tubs can hold more people, due to the more upright seating position. Some people find deeper tubs to be more comfortable to sit in. While deeper tubs take longer to fill and to heat, the added thermal mass means they hold their heat for a long time once heated.



42" Stave



48" Stave



How many happy bathers do you want in your tub?

We offer our cedar stave hot tubs in 10 sizes, each available in the four heights shown previously. No other cedar tub manufacturer can beat Zen Bathworks when it comes to getting a tub that is perfectly sized for your needs!

The following images show about how many people can fit in each size of tub. The bather models represent adults ranging from 4'-11" to 6'-4" in height.

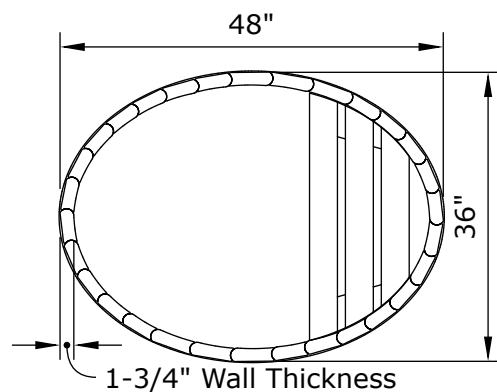
Many of our tub sizes give a range of how many bathers can use the tub at once. The low end of the range is 'Spacious' seating for bathers who prefer enough room to spread out without touching toes or bumping elbows. The high end of the range is 'Cozy' seating for bathers who don't mind occasionally rubbing shoulders with their neighbors.

The tub exterior dimensions are indicated for your planning convenience.

The style and location of the benches is also shown in the top diagram view. Please remember, the 29" tub height does not include benches.

IMPORTANT NOTE: 42" deep tubs are shown, unless otherwise noted. In many cases, the 42" and 48" tubs can comfortably fit more bathers than the 36" and especially 29" heights, due to the increased amount of legroom. See the Seating Depth Comparison section, and take note of how much legroom the model needs for each height.

We recommend sizing the tub for your normal, everyday use. It may be tempting to get a larger tub in anticipation of occasional hot tub guests, but you will require more water and energy to fill and heat that extra tub capacity.

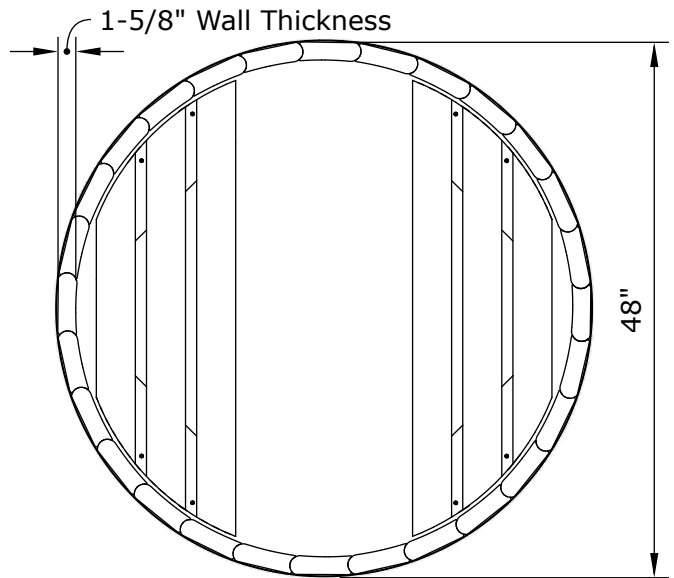
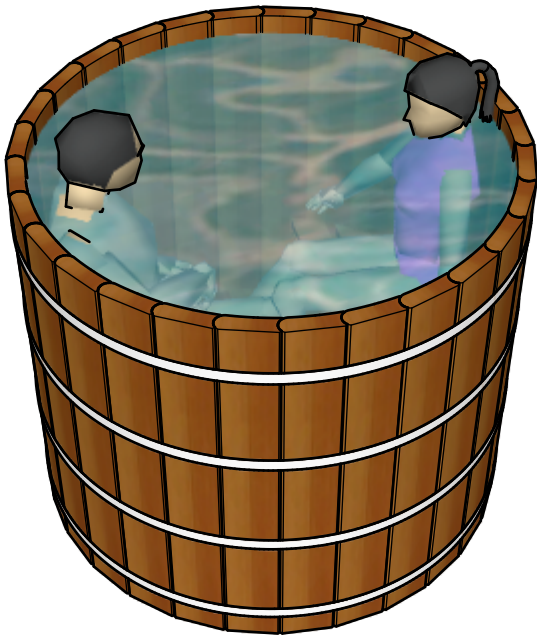


4' Ellipse - 1 bather

Need a hot tub for one that fits your limited space? Keep it simple with the 4' Ellipse.

29" depth shown at left. 42" depth shown above.



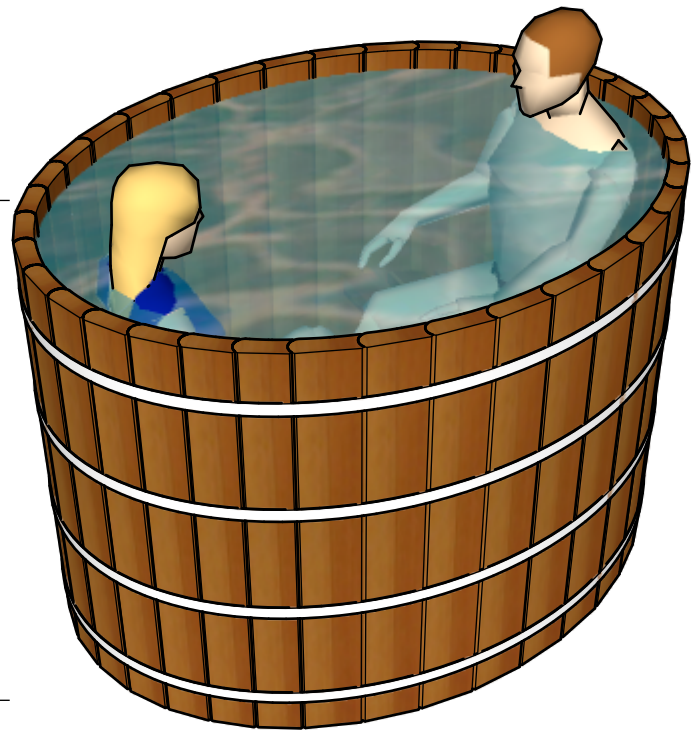
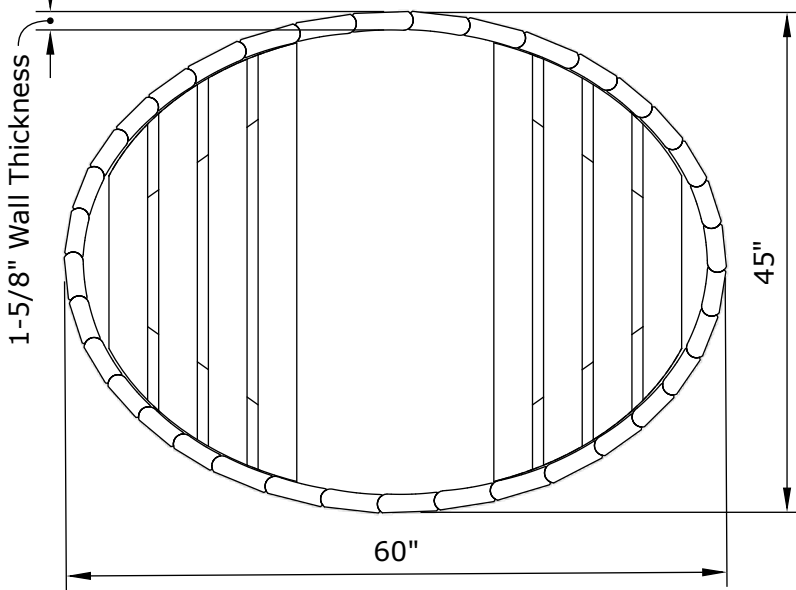


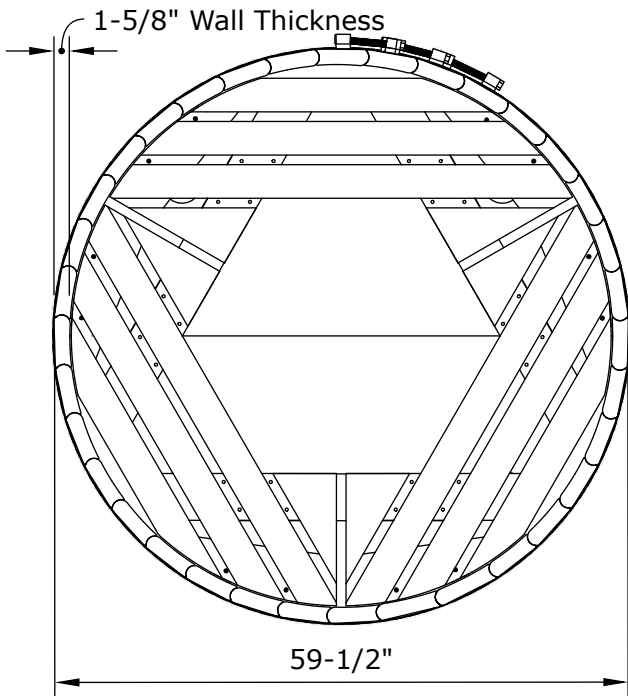
4' Round - 2 bathers

The 4' Round tub provides the classic barrel hot tub look with room for two.

5' Ellipse - 2 bathers

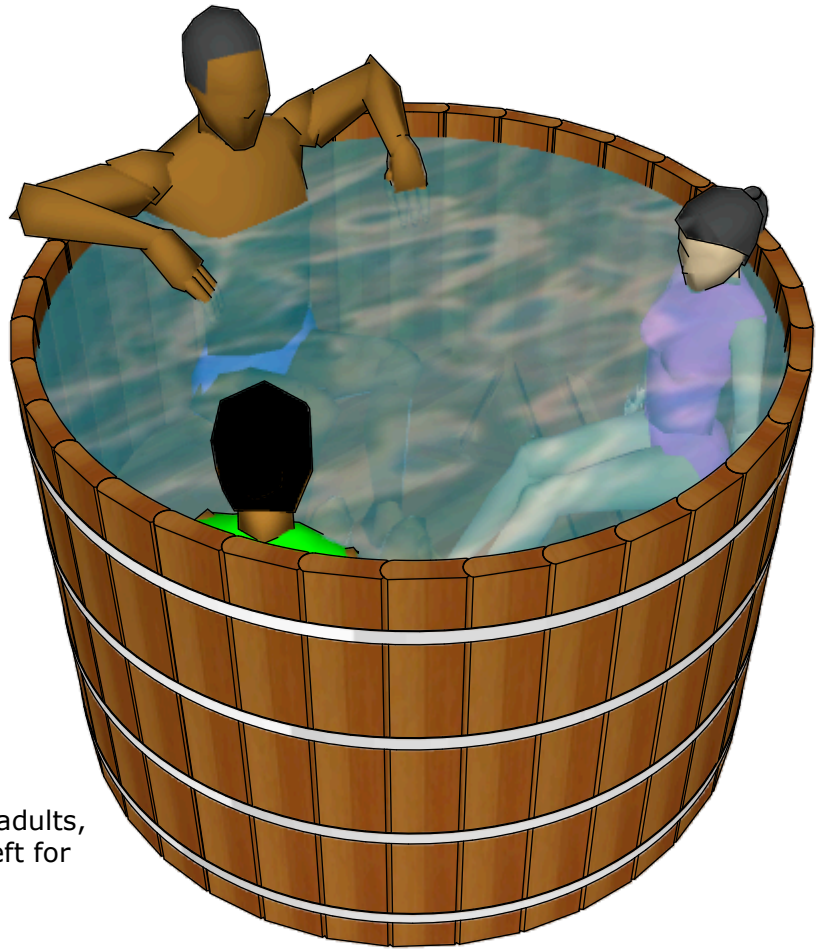
The 5' Ellipse model provides extra spacious seating for two. Plenty of legroom and elbow room at the same time.





5' Round - 3-4+ bathers

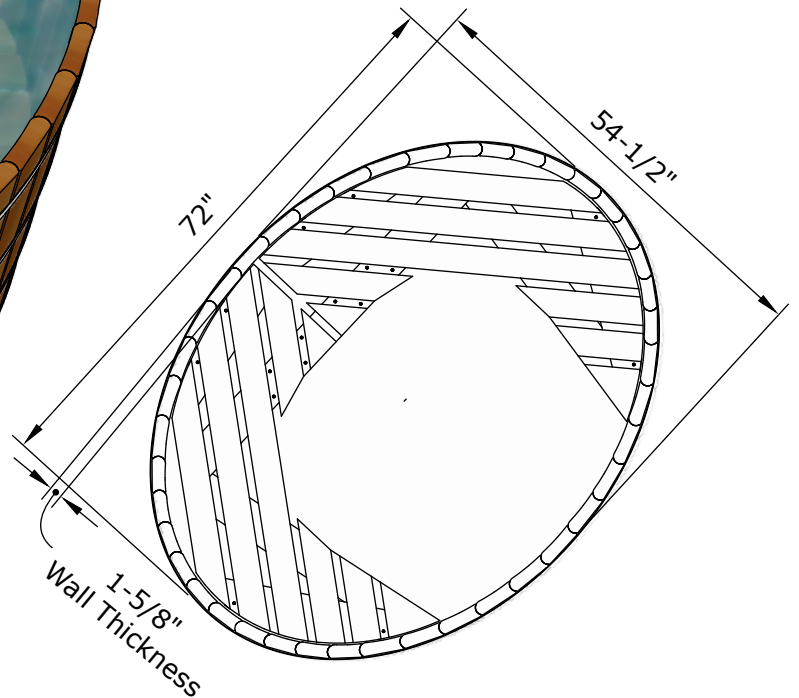
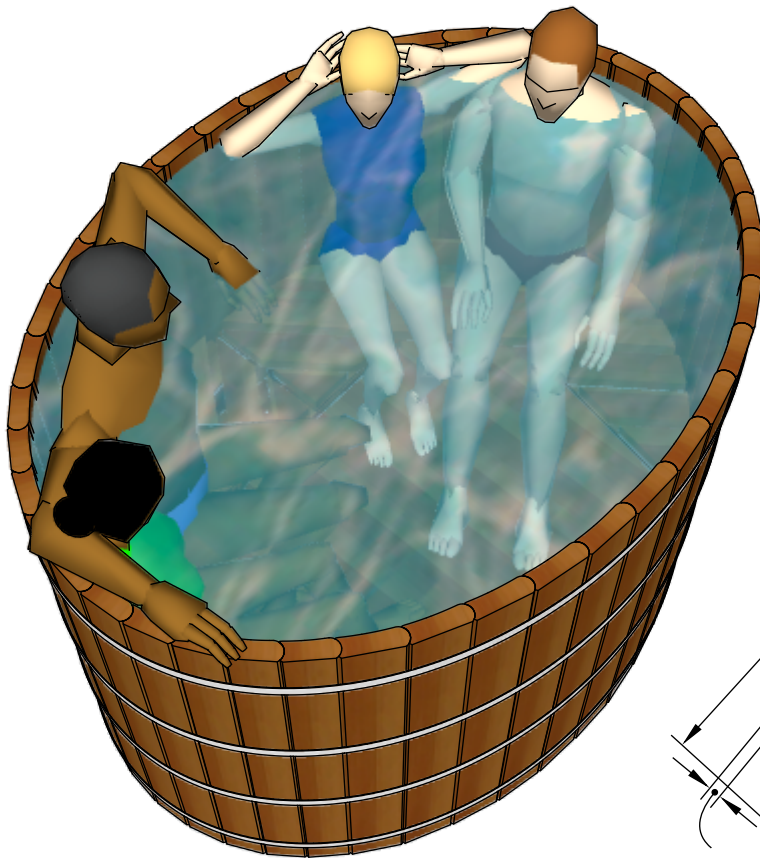
The 5' Round only has legroom for three adults, though it still has plenty of bench room left for small kids. This is one of our best-selling models.

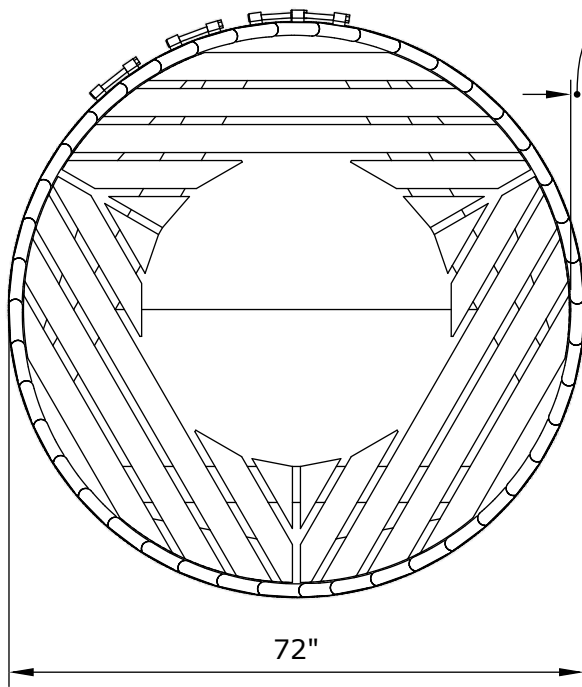


6' Ellipse - 2-4 bathers

The 6' Ellipse is a cosy fit for four. It's a great choice for a couple who wants to occasionally invite a few guests without committing to the extra heating costs of a bigger tub.

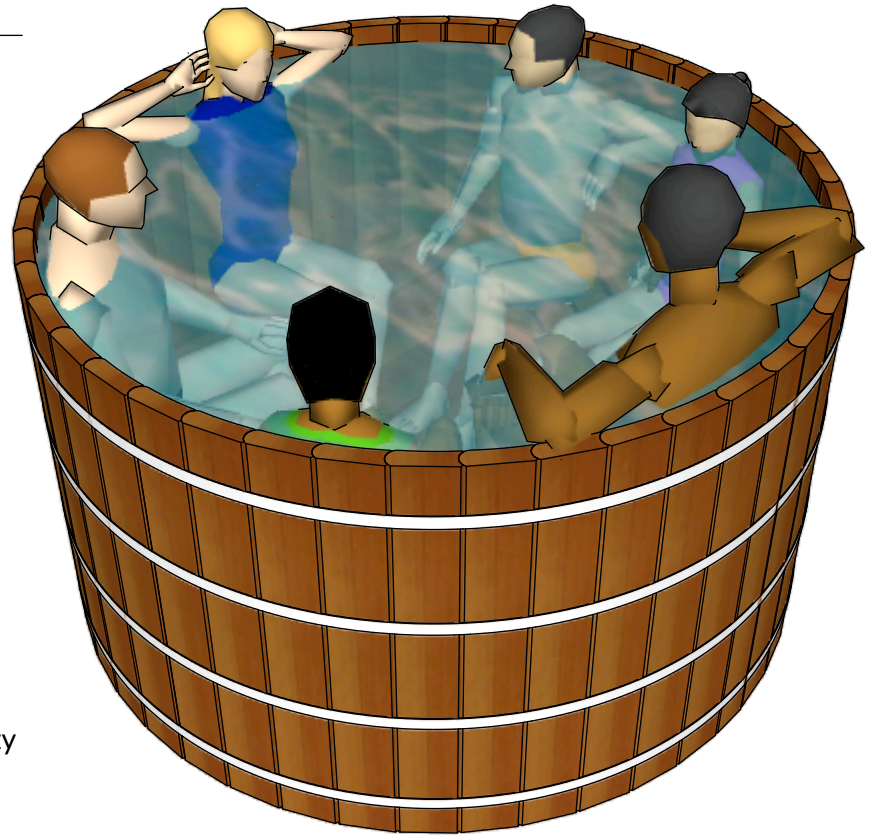
If you plan to seat four adults, we recommend the 42" or 48" depths for added legroom.





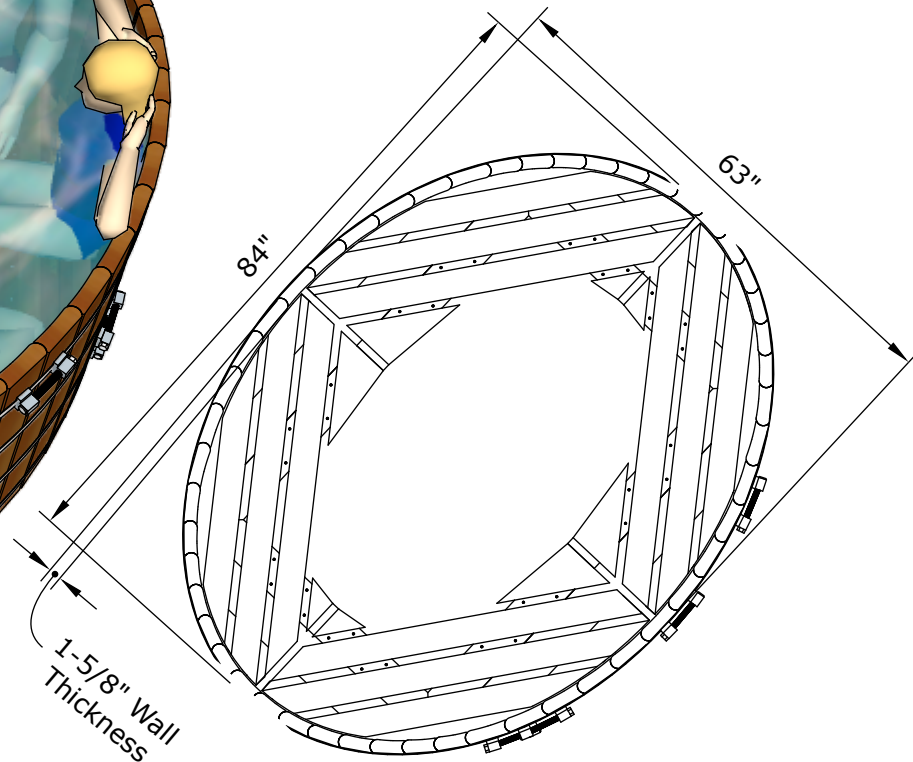
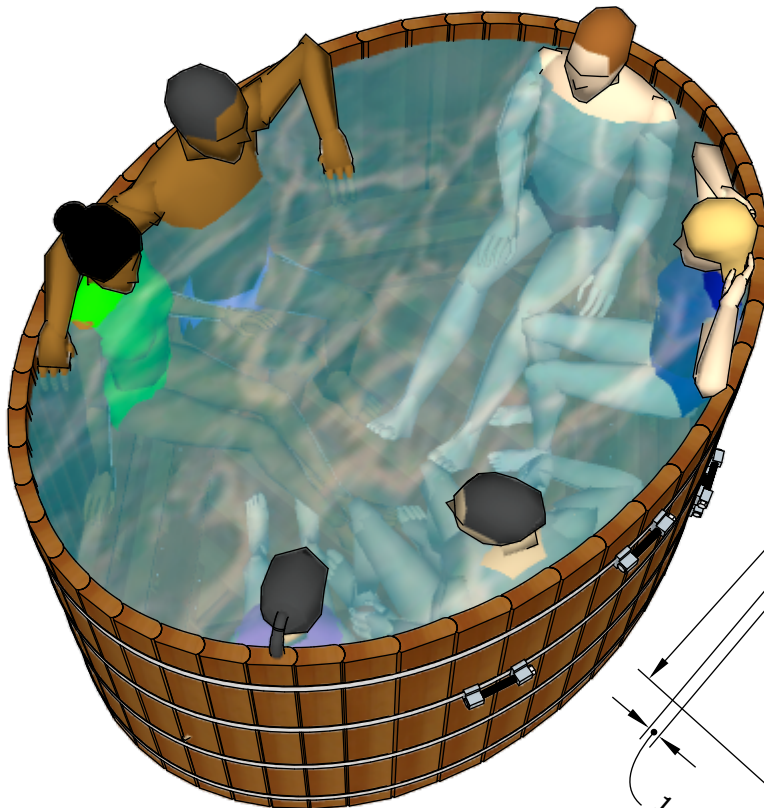
6' Round - 3-7 bathers

Another best-seller, the 6' Round has plenty of room for your friends or your kids. You can't go wrong with this popular tub!



7' Ellipse - 4-8 bathers

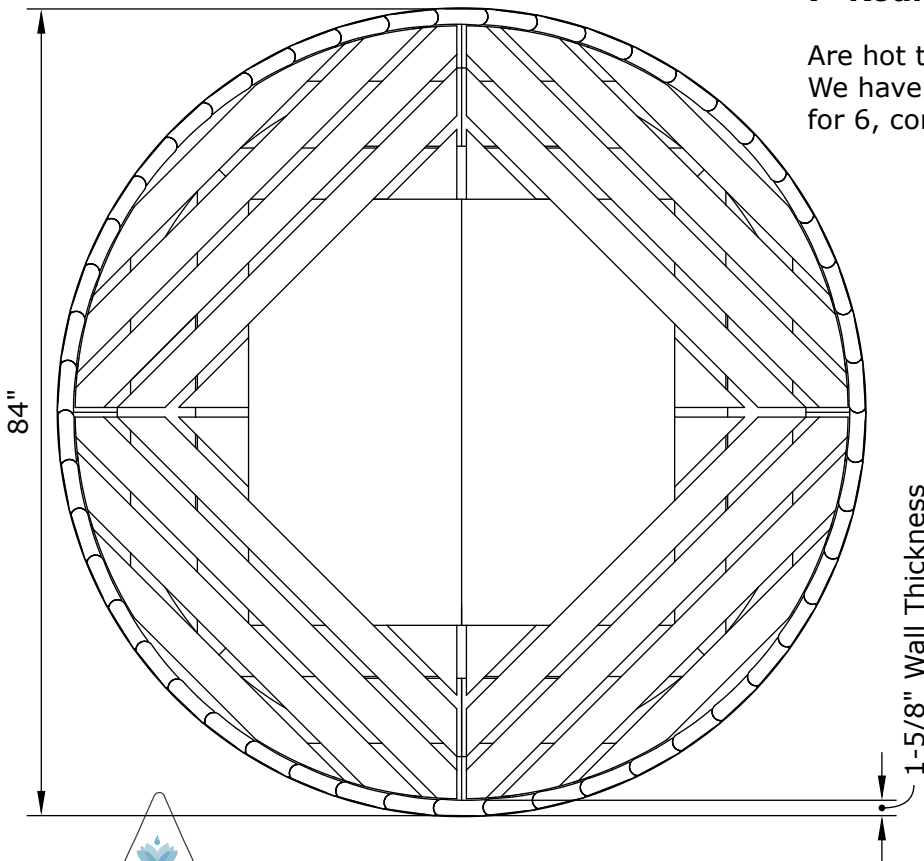
You could fit 8 people in a 7' Ellipse if you tried. But we're all about the Art of Relaxation. We think of it as a great fit for 6.

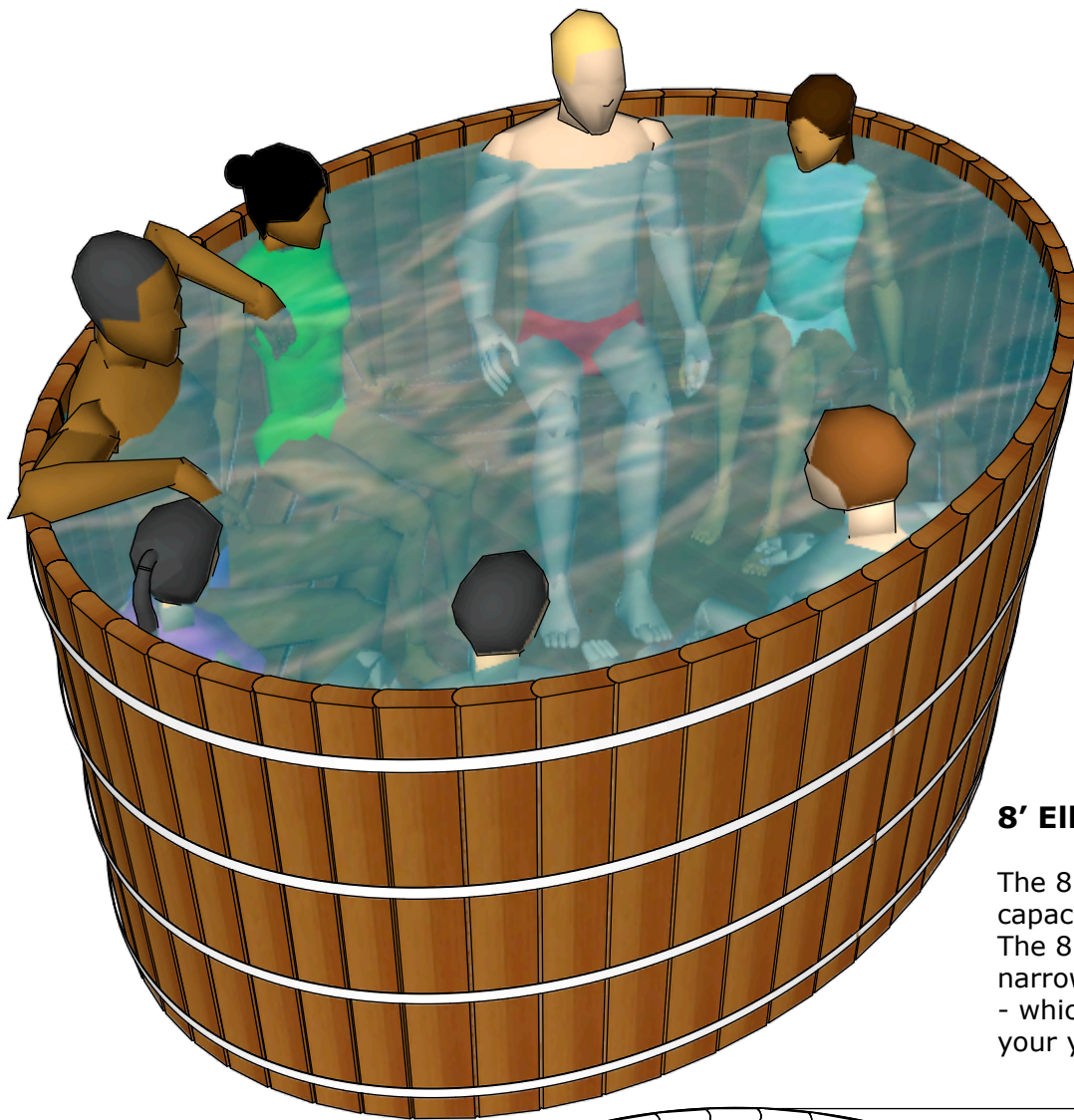




7' Round - 6-9 bathers

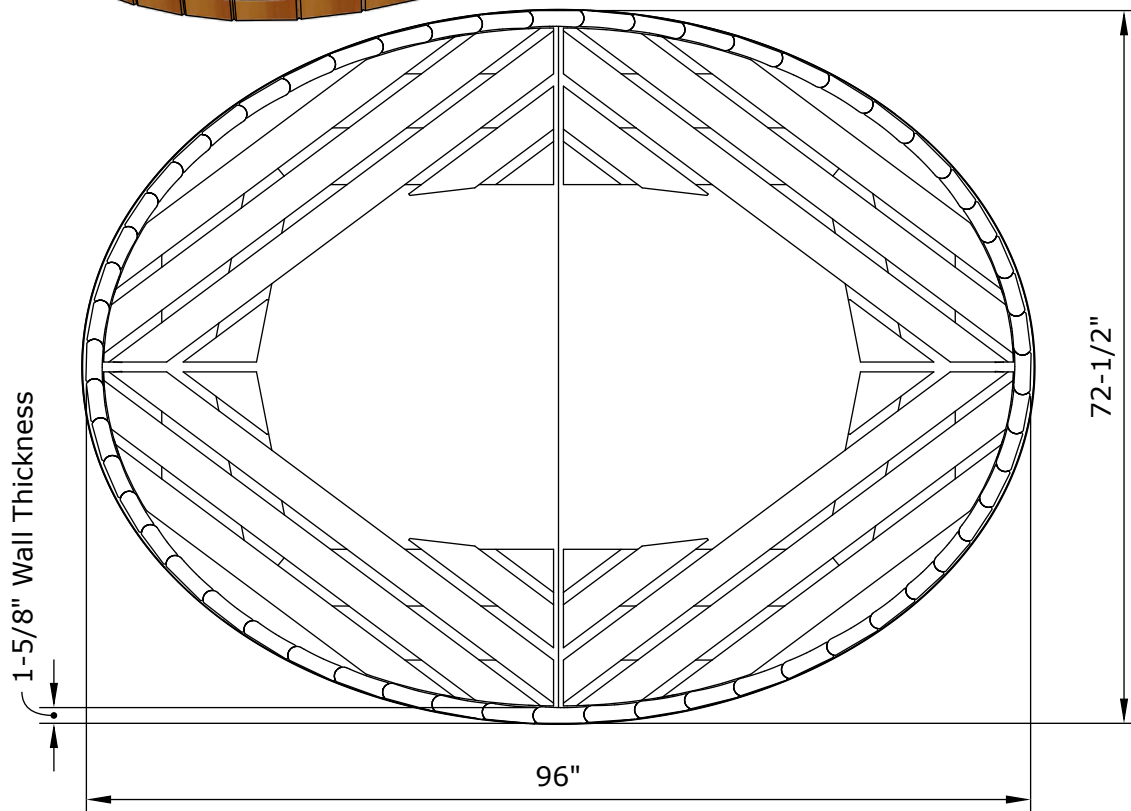
Are hot tub parties your idea of a good time? We have you covered. The 7' Round is spacious for 6, comfortable for 8, and cozy for 9.

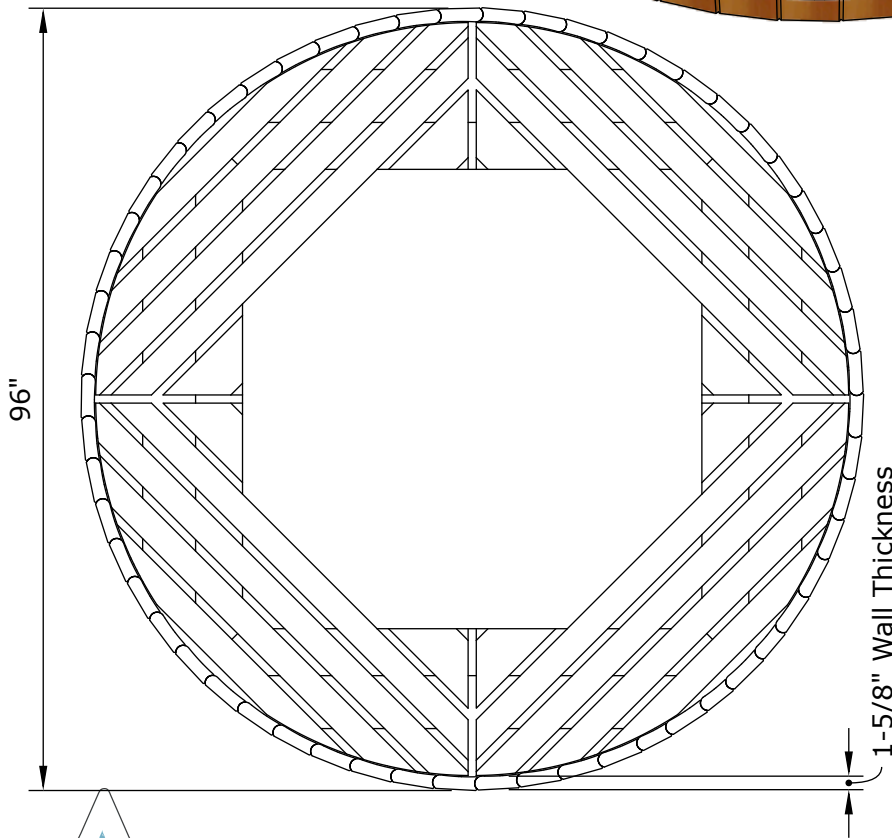
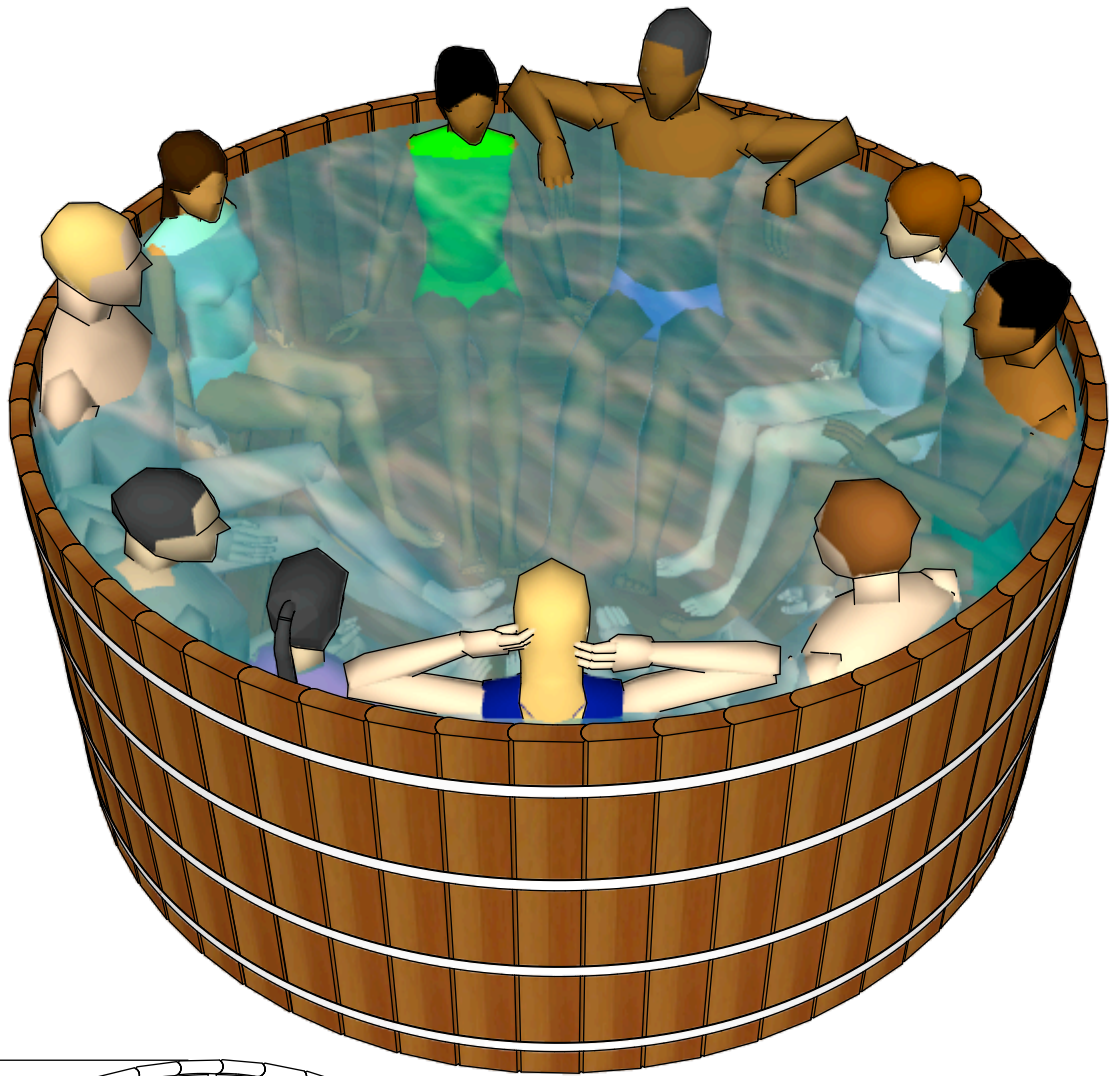




8' Ellipse - 6-9 bathers

The 8' Ellipse has similar capacity to the 7' Round. The 8' Ellipse is longer but narrower than the 7' Round - which one will fit better in your yard?





8' Round - 7-12 bathers

If you and eight friends in a hot tub isn't enough, we give you the massive 8' Round with plenty of room for up to 12 if ordered in the 48" height.

Ever wondered what it feels like to do a back float in a hot tub? This tub will let you do that. Reduce the temperature, and you have a mini pool for the summer!



How many gallons? What will that weigh?

How many gallons your tub will take to fill, and how much all that water is going to weigh are two more important considerations as you select your perfect hot tub. Each gallon of water takes time and energy to heat, and if you have a metered water supply it costs more to add in the first place.

Water is heavy! It is VERY important that you consider the filled weight of your preferred tub, and ensure that whatever foundation you choose is suitable for the task.

For a sense of reference:

- at 3,940 lbs, a 5' Round 42" tall tub weighs more than a Subaru Forester
- at 5,812 lbs, a 6' Round 42" tall tub weighs more than a Ford F150 pickup truck
- at 12,313 lbs, an 8' Round 48" tub weighs as much as a large adult African elephant, or a short school bus

Tub Capacities and Approx. Filled Weights								
<i>Make sure your tub deck or foundation is able to handle the filled weight of your tub!</i>								
Tub	Gal.	Weight	Tub	Gal.	Weight	Tub	Gal.	Weight
			5' Round 42"	400	3,940	7' Ellipse 48"	720	7,092
			5' Round 48"	460	4,531	7' Round 29"	530	5,221
4' Ellipse 29"	125	1,231	6' Ellipse 29"	300	2,955	7' Round 36"	680	6,698
4' Ellipse 36"	160	1,576	6' Ellipse 36"	375	3,694	7' Round 42"	810	7,979
4' Ellipse 42"	190	1,872	6' Ellipse 42"	450	4,433	7' Round 48"	940	9,259
4' Round 29"	165	1,625	6' Ellipse 48"	525	5,171	8' Ellipse 29"	535	5,270
4' Round 36"	210	2,069	6' Round 29"	390	3,842	8' Ellipse 36"	690	6,797
4' Round 42"	250	2,463	6' Round 36"	495	4,876	8' Ellipse 42"	820	8,077
5' Ellipse 29"	200	1,970	6' Round 42"	590	5,812	8' Ellipse 48"	950	9,358
5' Ellipse 36"	255	2,512	6' Round 48"	685	6,747	8' Round 29"	700	6,895
5' Ellipse 42"	305	3,004	7' Ellipse 29"	410	4,039	8' Round 36"	900	8,865
5' Round 29"	260	2,561	7' Ellipse 36"	520	5,122	8' Round 42"	1,075	10,589
5' Round 36"	330	3,251	7' Ellipse 42"	620	6,107	8' Round 48"	1,250	12,313

