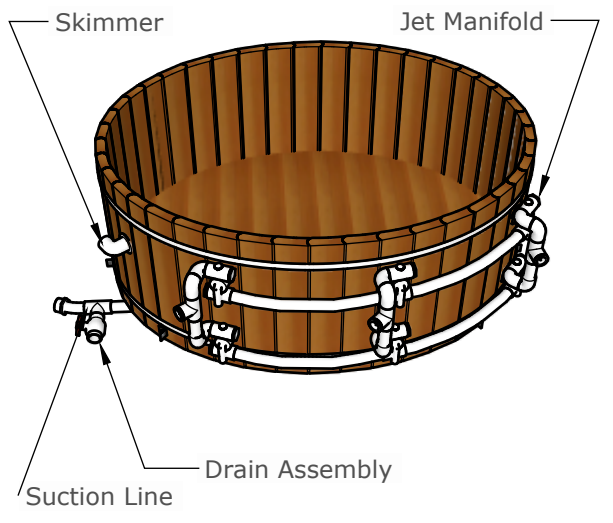
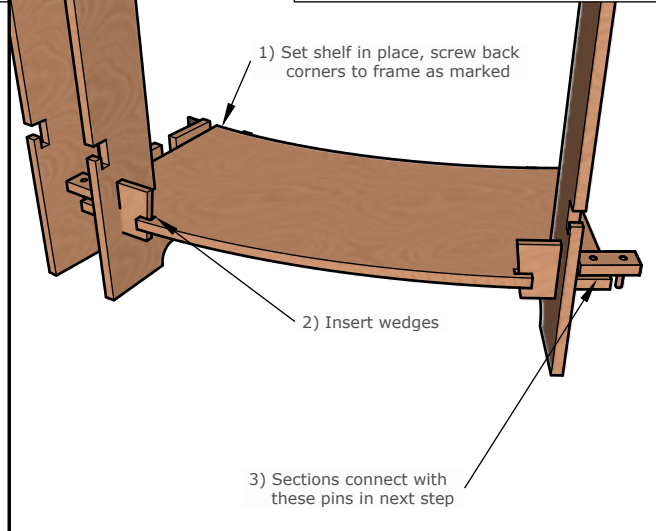


(6' Ellipse 29 Shown)

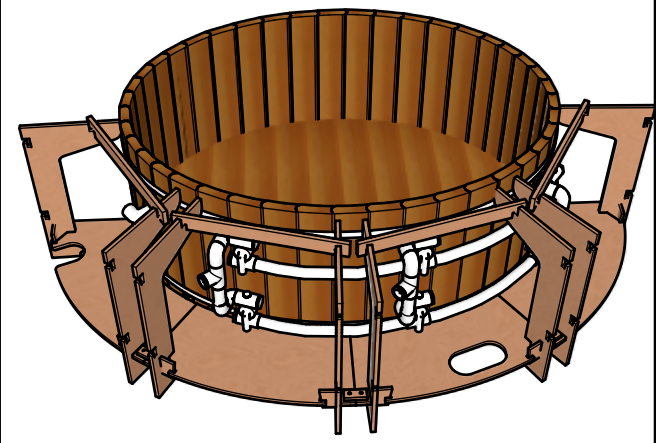
Install tub-side plumbing.



Assemble frames using shelves and cross rails. Components are numbered for easy reference.

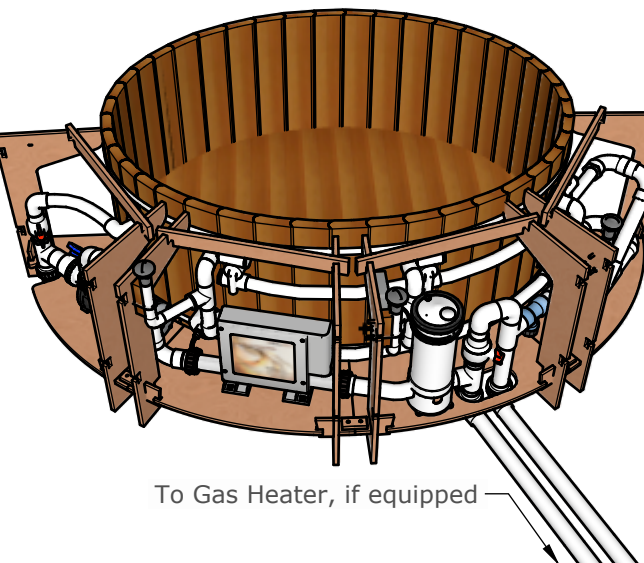


Place sections around tub and join sections with pins. Set the deck sections on the frames to check spacing to tub. When spacing is correct, screw brackets to tub and shelf.

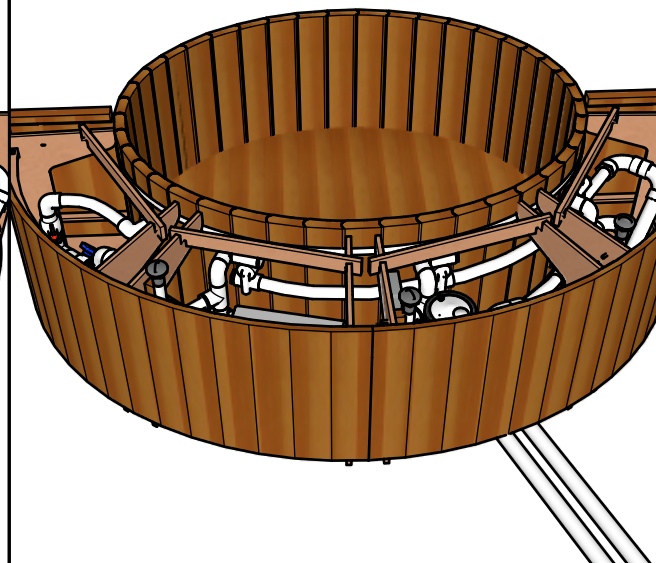


Note: Brackets can be placed wherever convenient

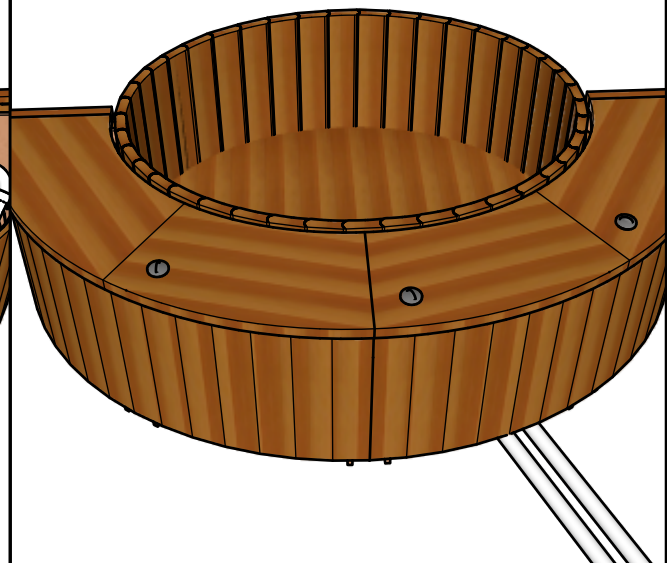
If installing plumbing within surround, assemble plumbing components. The 29" depth is shown; taller tubs provide more room to work with.



Hang skirting panels onto the hooks cut into the frames. Secure skirting panels to each other with additional connector pins.



Install the deck sections to complete the assembly.



Zen Bathworks Hot Tub Surround Assembly Instructions

Air Control Valve installs onto pipe. Hole in Surround top drops over entire Air Control Valve.

Note: for electric systems, plumb directly from filter housing to ClearBlue tee.

Bypass valve controls flow rate through external heater (if equipped).

Suggested Bracket location

Bracket



Zen Bathworks Hot Tub Surround Assembly Instructions